

Sales Order: Pending

Custom Bench, Kroger

Item: n/a

No: RF-B-0503-72-KROGER

Finish: TBD

- approved
- approved as noted
- not approved revise as noted

Date 8/14/18

By JLR

Scale NTS

PHONE: 540.342.1548

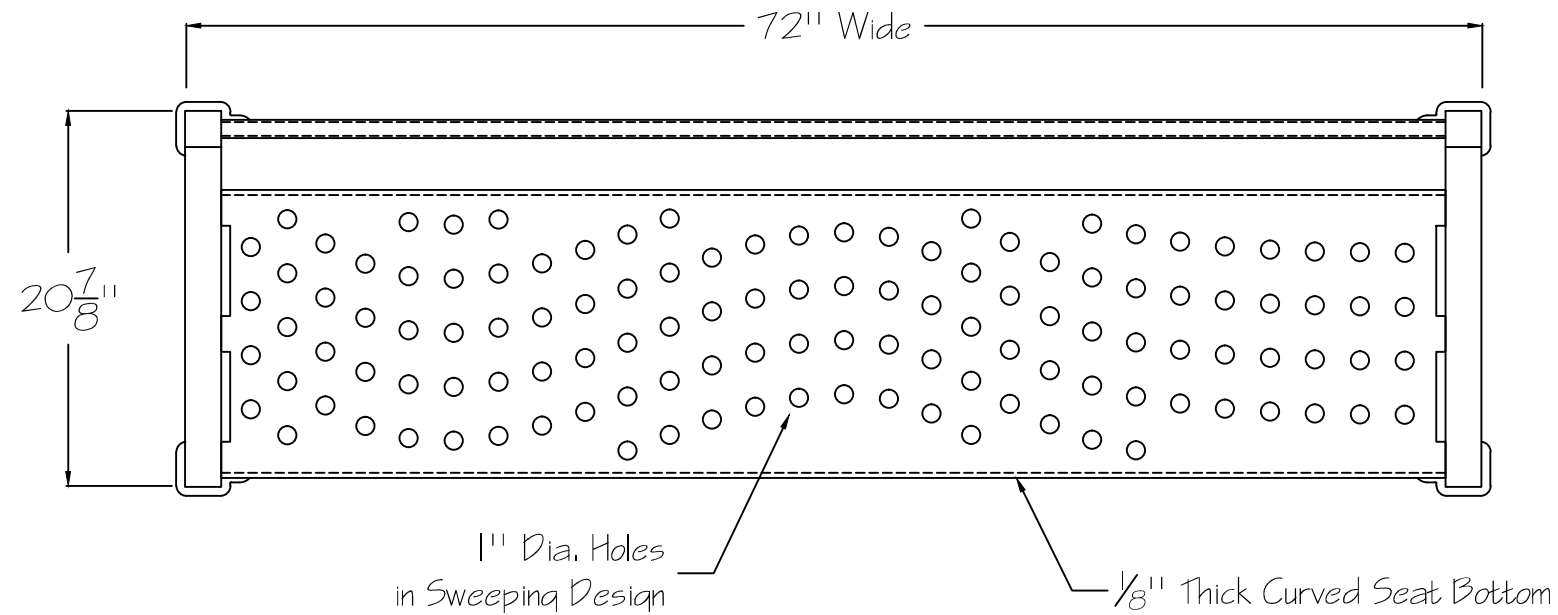
FAX: 540.342.1417

WEB: RCLFINC.COM

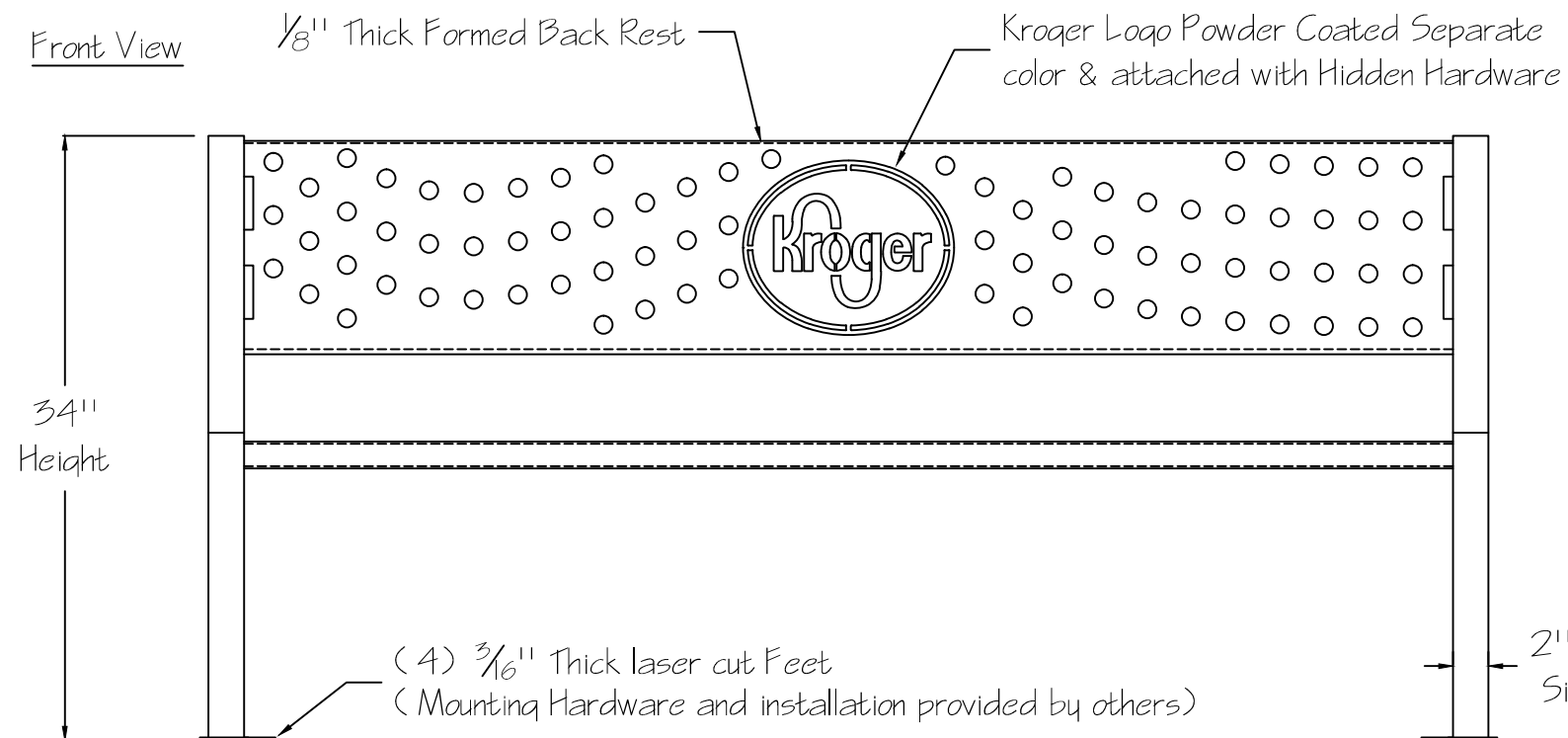


Renaissance reserves the right to make adjustments during fabrication to ensure product integrity, performance, and meet applicable UL standards.

Top View

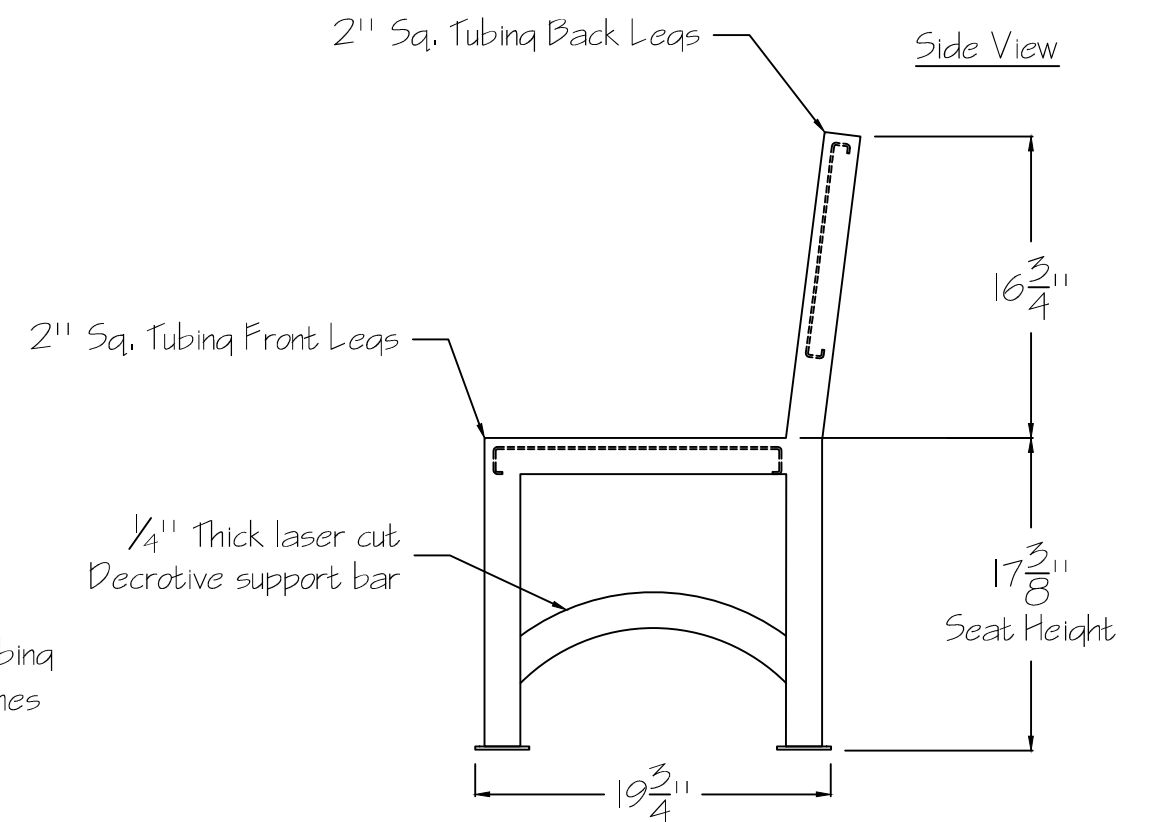


Front View



2" Sq. Tubing Back Legs

Side View



2" Sq. Tubing Front Legs

1/4" Thick laser cut Decorative support bar

2" Sq. Tubing Side Frames

(4) 3/16" Thick laser cut Feet (Mounting Hardware and installation provided by others)