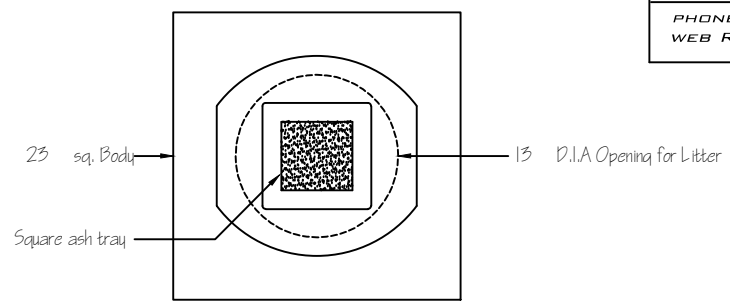


sales order 0000		Custom???	Date 2/12/14
item 0000 TR-NEW COMMISSARY		N <sub>o</sub> : TR-1947	scale N.T.S
finish	TBD	<input type="checkbox"/> approved <input type="checkbox"/> approved as noted <input type="checkbox"/> not approved revise as noted	
PHONE 540.342.1548 FAX 540.342.1417 WEB ROLFIND.COM			

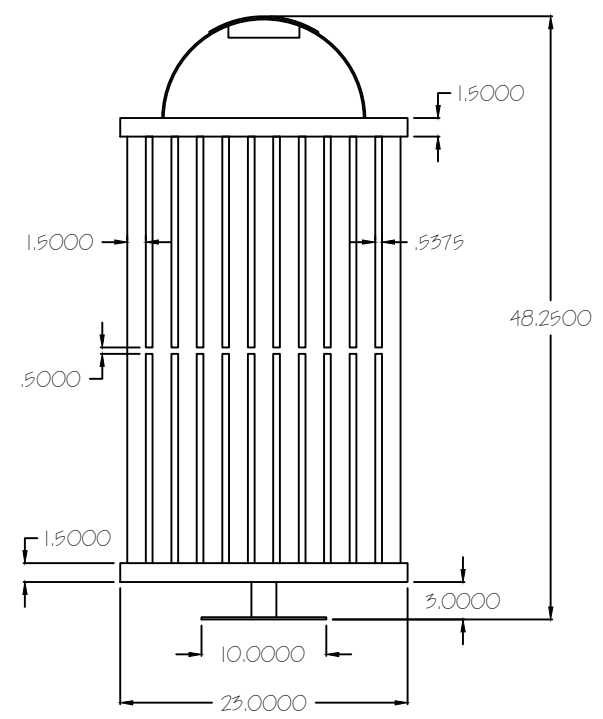


Top View



\*\*\*Note\*\*\*  
 This receptacle uses a 32 gallon rigid plastic liner

Front Elevation



Rear Elevation

