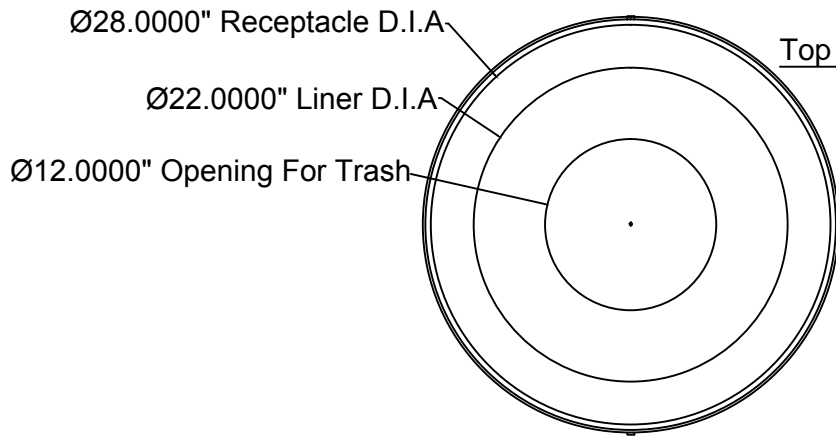
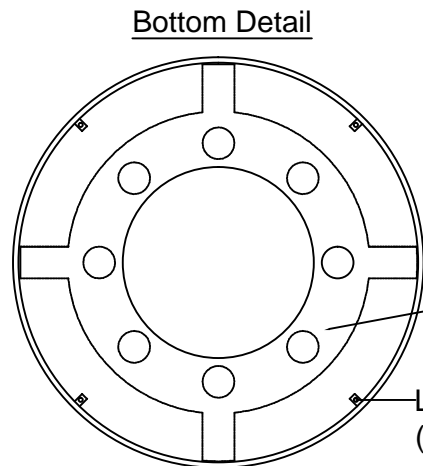


Trash Only Receptacle

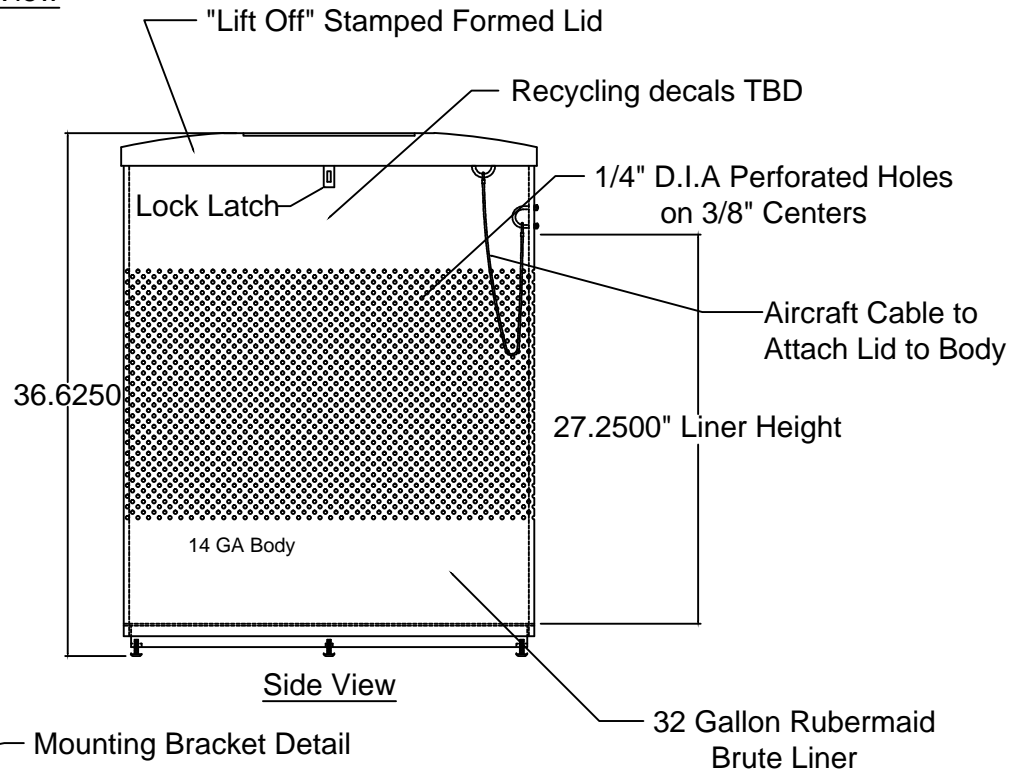
sales order N/A	Custom ???	date 04-02-15
item TR-NYC-32 Custom for Trash Only	N.O. TR-NYC-32 Custom	scale N.T.S
finish TBD	<input type="checkbox"/> approved <input type="checkbox"/> approved as noted <input type="checkbox"/> not approved revise as noted	
PHONE 540.342.1548 FAX 540.342.1417 WEB RCLFINC.COM		



Top View



Bottom Detail



Side View