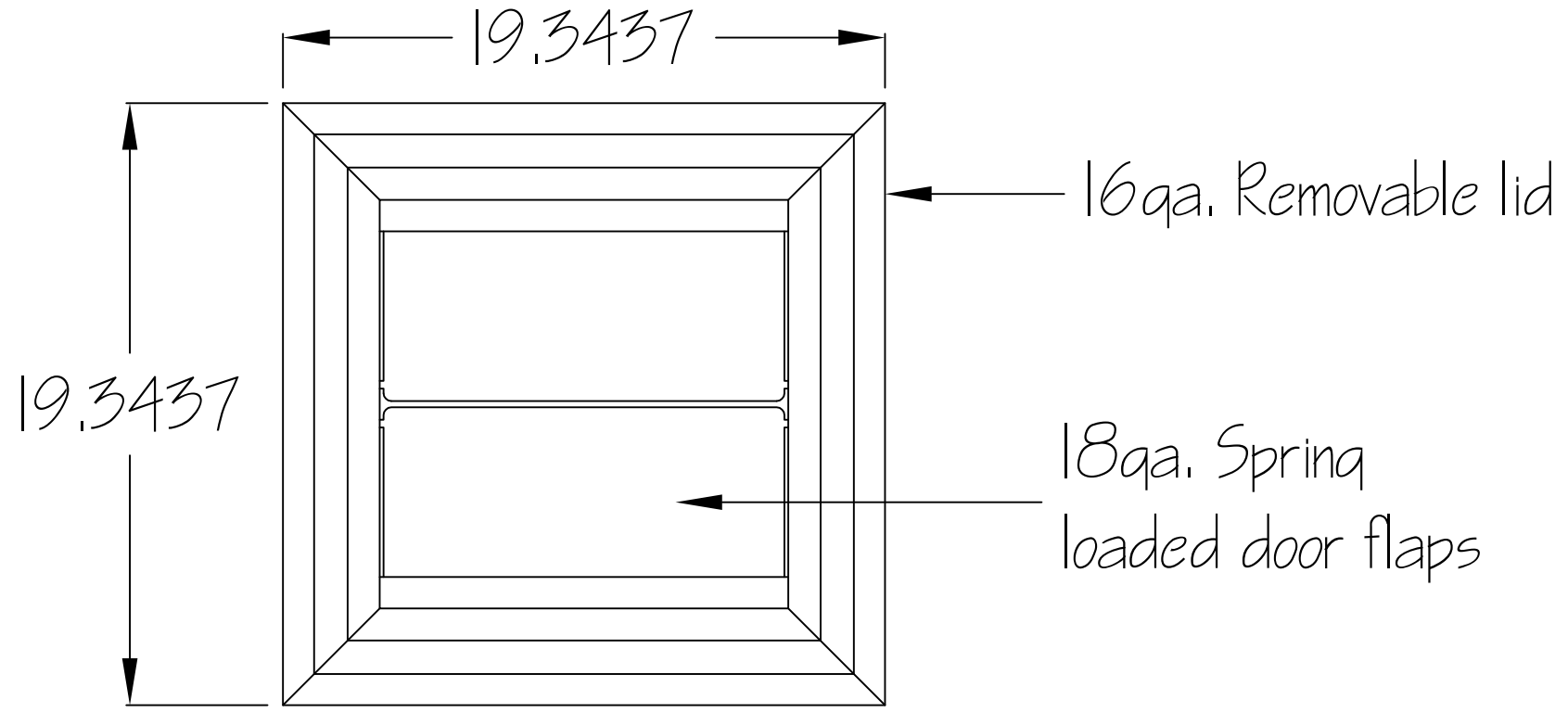


sales order 0000		Custom Trash Receptacle	Date 10/27/14
item 0000		No. TR-1926-32	Scale N.T.S
finish	TBD	<input type="checkbox"/> approved <input type="checkbox"/> approved as noted <input type="checkbox"/> not approved revise as noted	
PHONE 540.342.1548 FAX 540.342.1417 WEB RCLFING.COM			



Top View



Front Elevation

