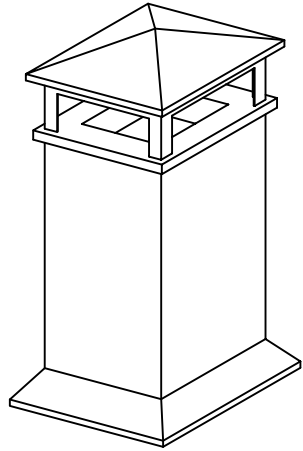
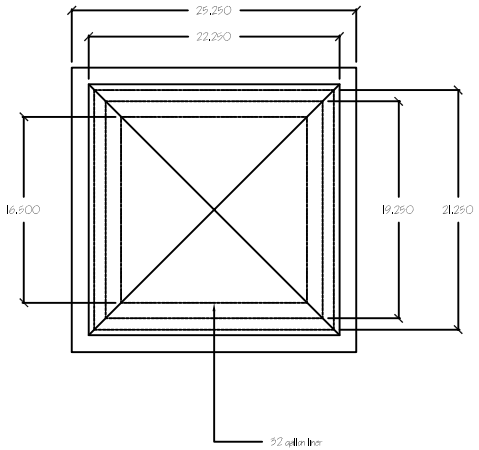


sales order 0000		Custom ???	date 10/10/13
item 0000		N ^o : 1R-1920	scale N.T.S
finish	TBD	<input type="checkbox"/> approved <input type="checkbox"/> approved as noted <input type="checkbox"/> not approved revise as noted	
PHONE 540.342.1548 FAX 540.342.1417 WEB RCLFING.COM			

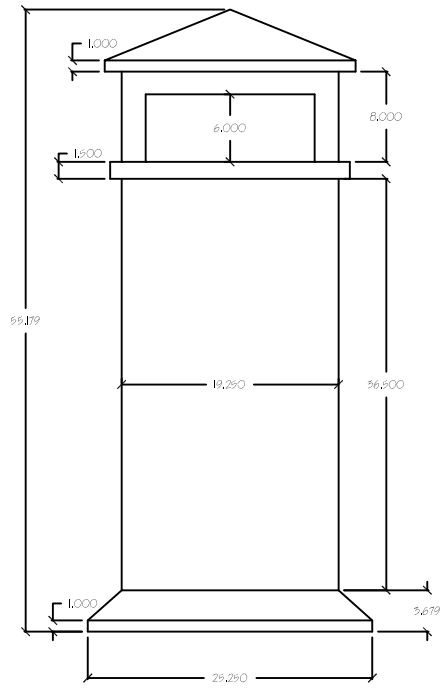


3/4 View - N.T.S

Top View



Front Elevation



Rear Elevation

