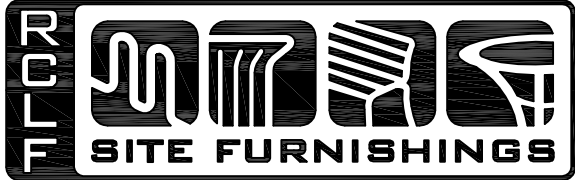
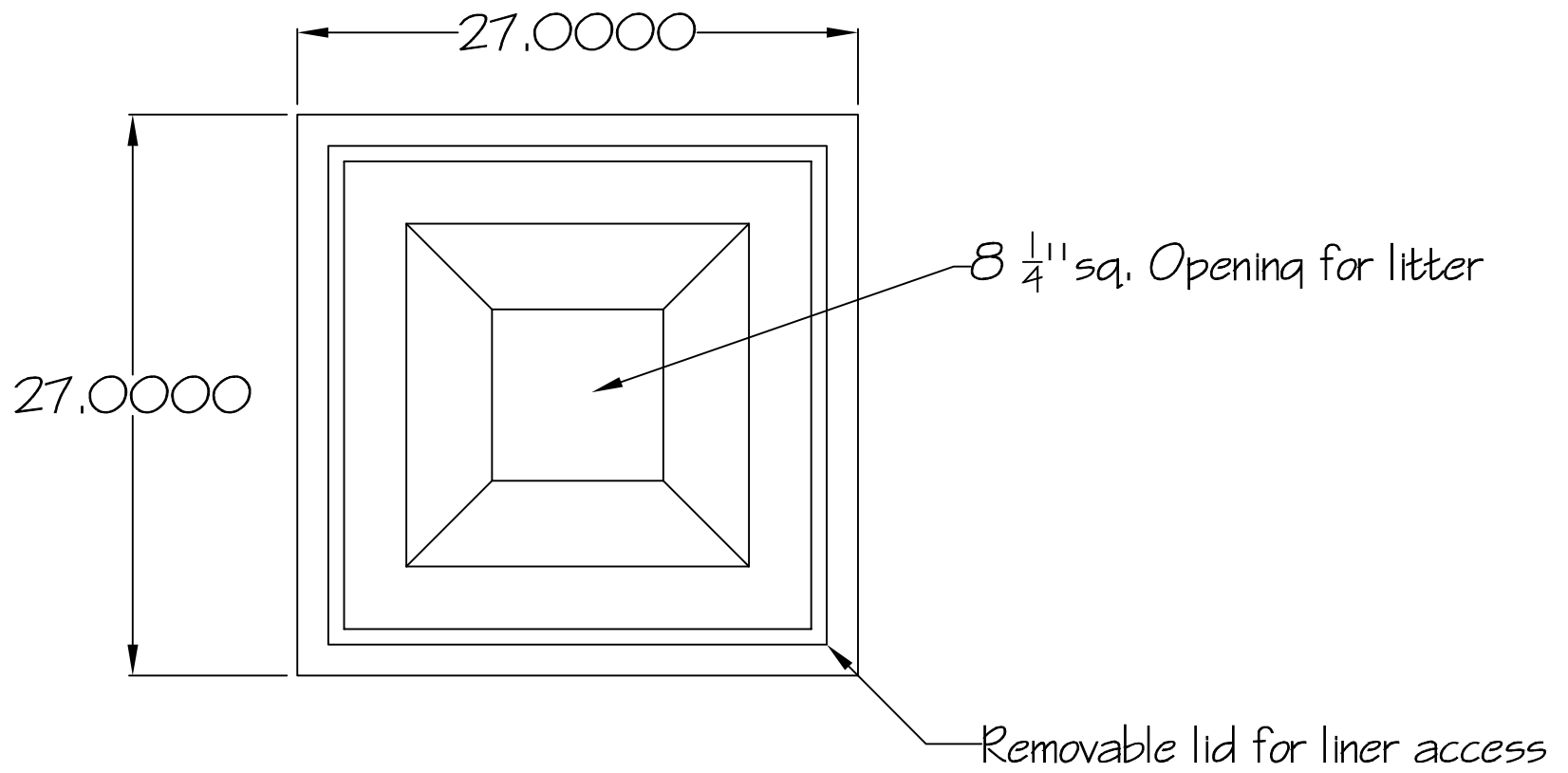


sales order 0000		Custom Trash Receptacle	date 10/10/14	
item 0000		No. 1R-1424	scale N.T.S	
finish	TBD	<input type="checkbox"/> approved <input type="checkbox"/> approved as noted <input type="checkbox"/> not approved revise as noted		
PHONE 540.342.1548 FAX 540.342.1417 WEB RCLF INC.COM				

## Top View



## Front Elevation

