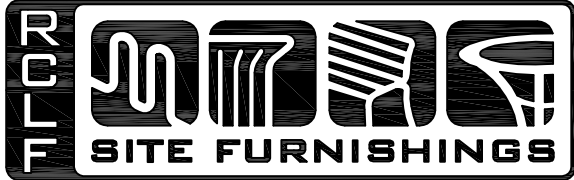
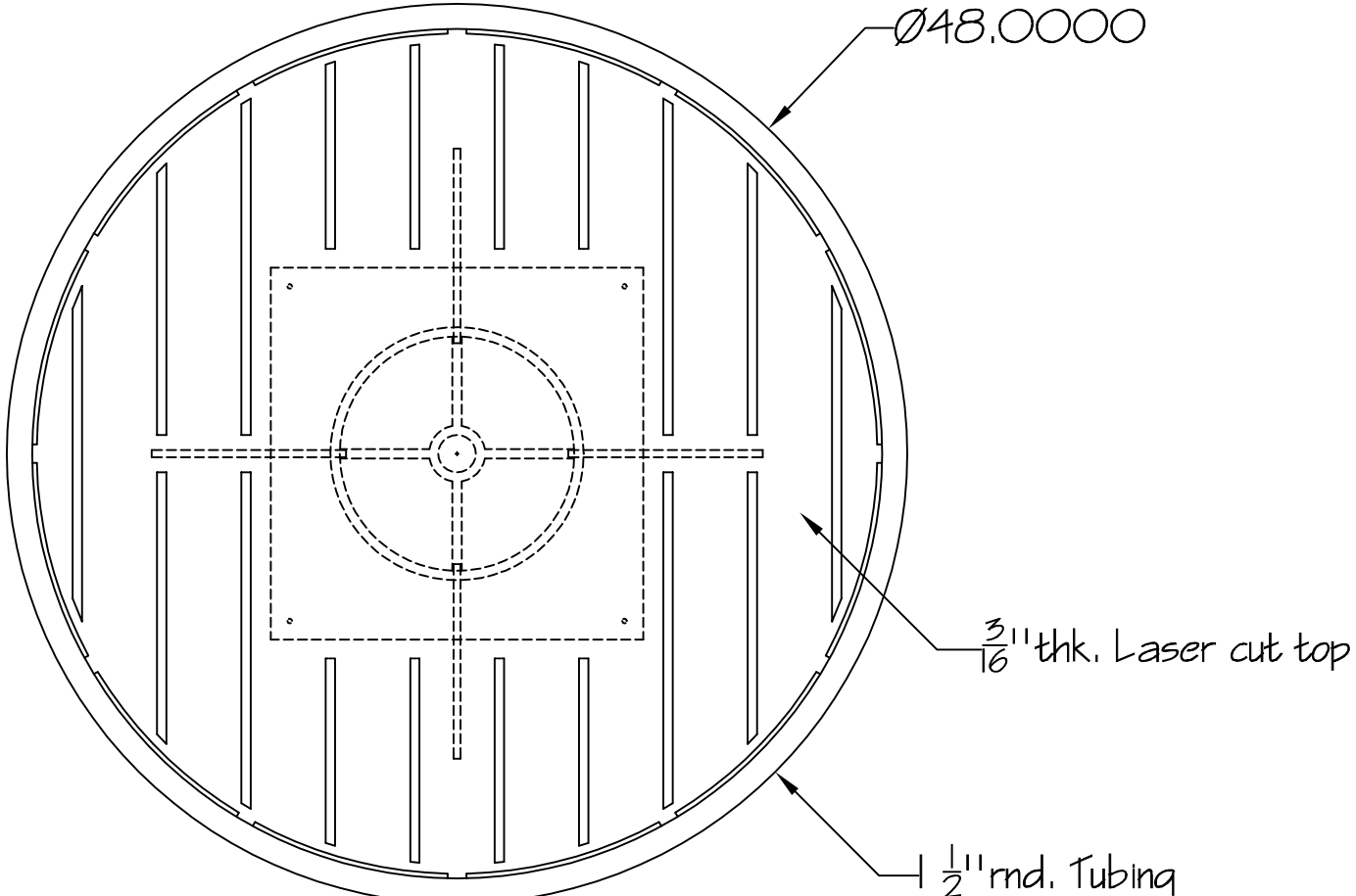


sales order 0000		Custom Table	date 10/16/14
item 0000		No. T-1602	scale 3/32"=1"
finish	TBD	<input type="checkbox"/> approved <input type="checkbox"/> approved as noted <input type="checkbox"/> not approved revise as noted	
PHONE 540.342.1548 FAX 540.342.1417 WEB RCLFINC.COM			



Top View



Front Elevation

