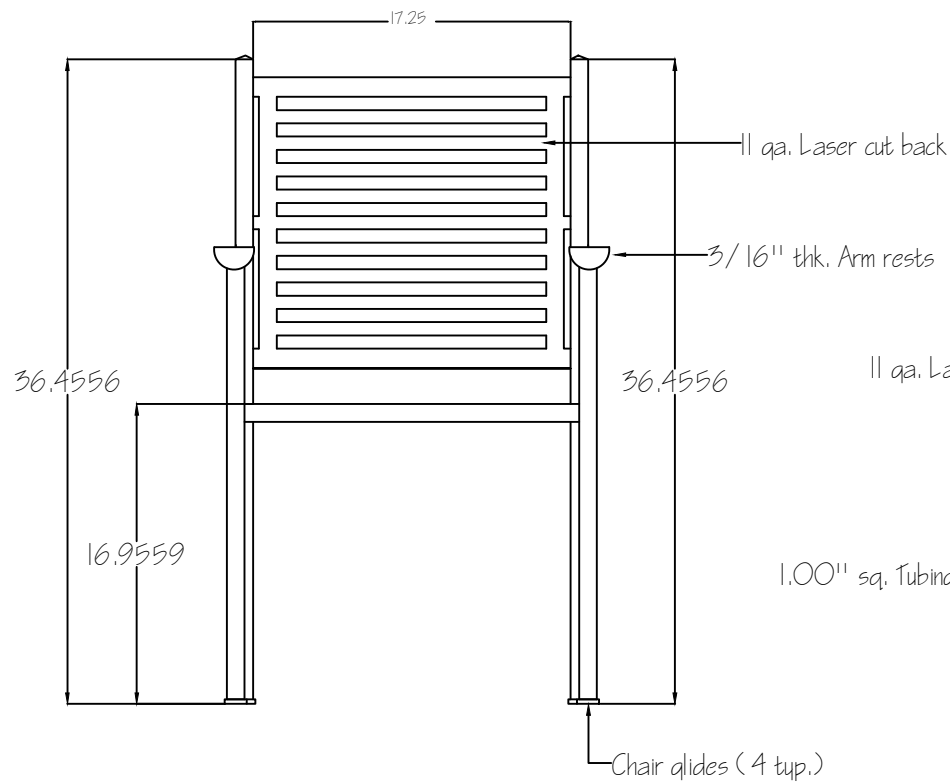


sales order 6463		Custom???	Date 4/29/14
item 0000		№ C-1037	Scale 3/32"=1"
finish	TBD	<input type="checkbox"/> approved <input type="checkbox"/> approved as noted <input type="checkbox"/> not approved revise as noted	
PHONE 540.342.1548 FAX 540.342.1417 WEB RCLFING.COM			



Front Elevation



Side Elevation

