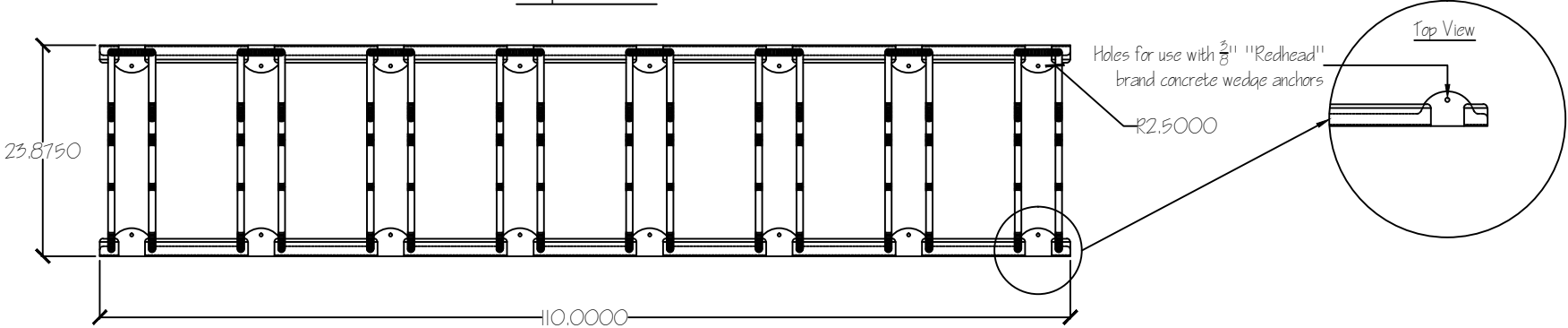


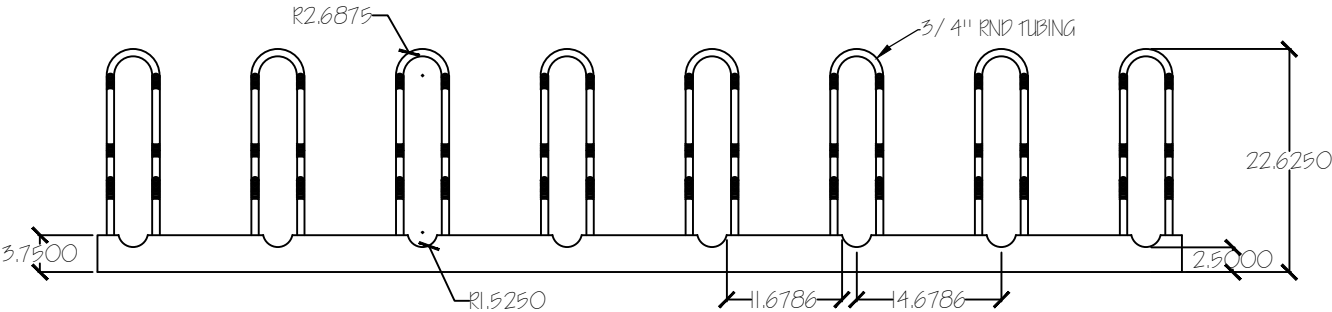
sales order 0000	Custom Bike Rack	date 9/22/14
item 0000	N ^o . BK-2220	scale N.T.S
finish TBD	<input type="checkbox"/> approved <input type="checkbox"/> approved as noted <input type="checkbox"/> not approved revise as noted	
PHONE 540.342.1548 FAX 540.342.1417 WEB RCLFING.COM		



Top View



Front Elevation



Side Elevation

