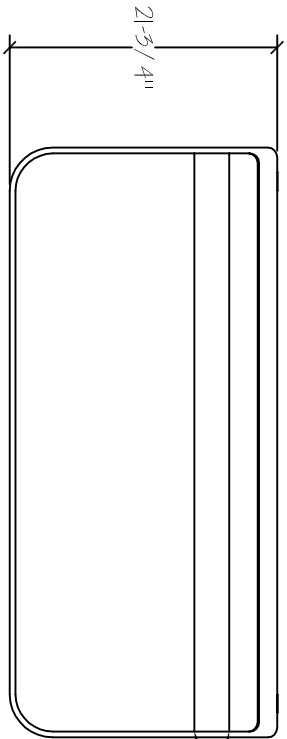


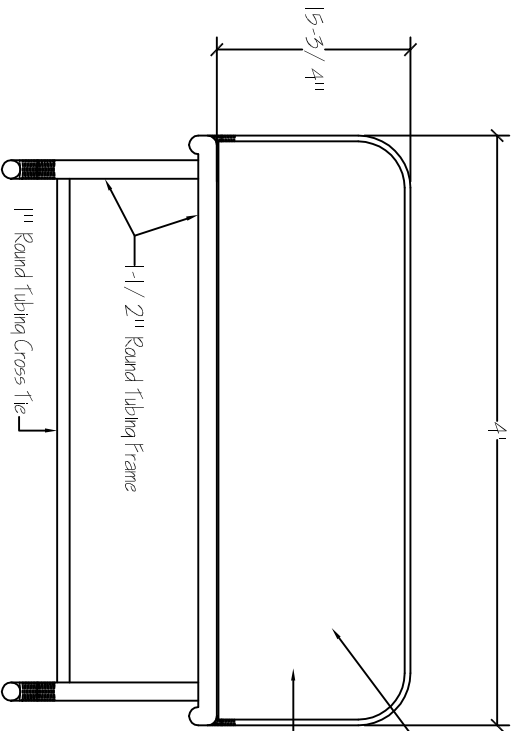
* This bench is also available in 6' length.

Top View



Lines to show curve in the back rest

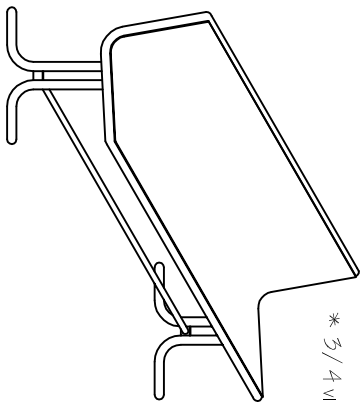
Front Elevation



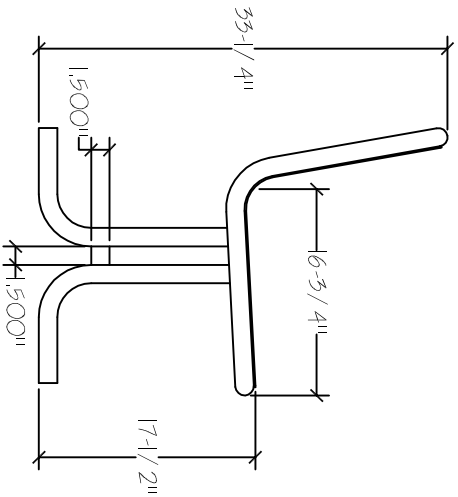
Solid 11 gauge back and seat

Seat back and seat attaches to frame with 1/4"-20 underside studs and will be capped with appropriate nut fasteners

sales order 0000	Custom ???	Date 9/10/13
Item 0000	N/A	5.26 N/A
Finish 13D	<input type="checkbox"/> approved	
PHONE 540.342.1548 FAX 540.342.1417	<input type="checkbox"/> approved as noted	
WEB RGLFURN.COM	<input type="checkbox"/> not approved revise as noted	



* 3/4 view is not to scale



Side Elevation

