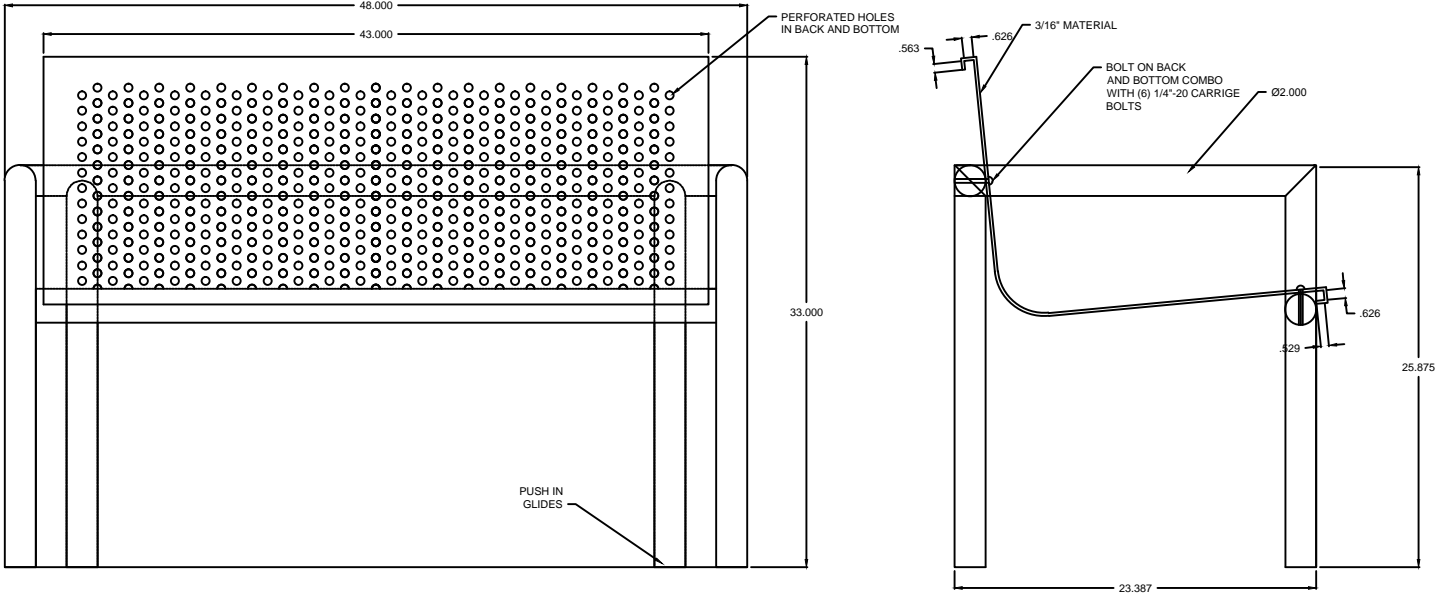


sales order 0000	Custom ???	date 02-09-11
item 0000	No. RF-O-0000	scale 3/32"=1"
finish TBD	<input type="checkbox"/> approved <input type="checkbox"/> approved as noted <input type="checkbox"/> not approved revise as noted	
PHONE 540.342.1548 FAX 540.342.1417 WEB RCLFINC.COM		



NOTES
 ALL METAL BENCH TO BE POWDER COATED
 WITH ZINC RICH PRIMER WITH A POLYESTER
 FINISH COAT (SILVER) COLOR TBD.
 BENCH FRAME TO BE FABRICATED WITH
 2" ROUND TUBING 1/8" WALL.