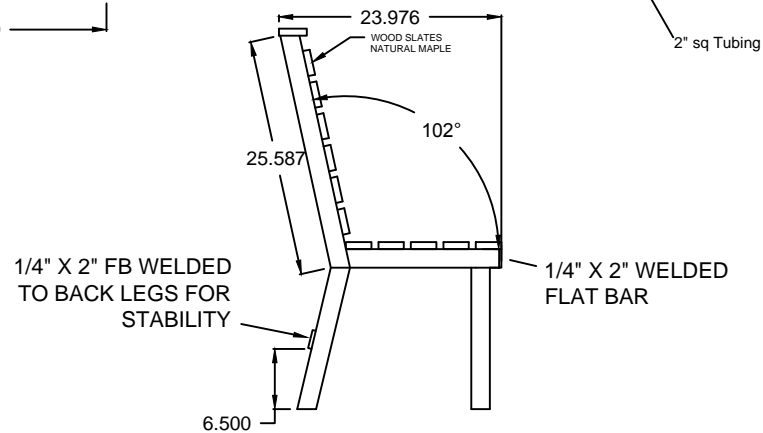
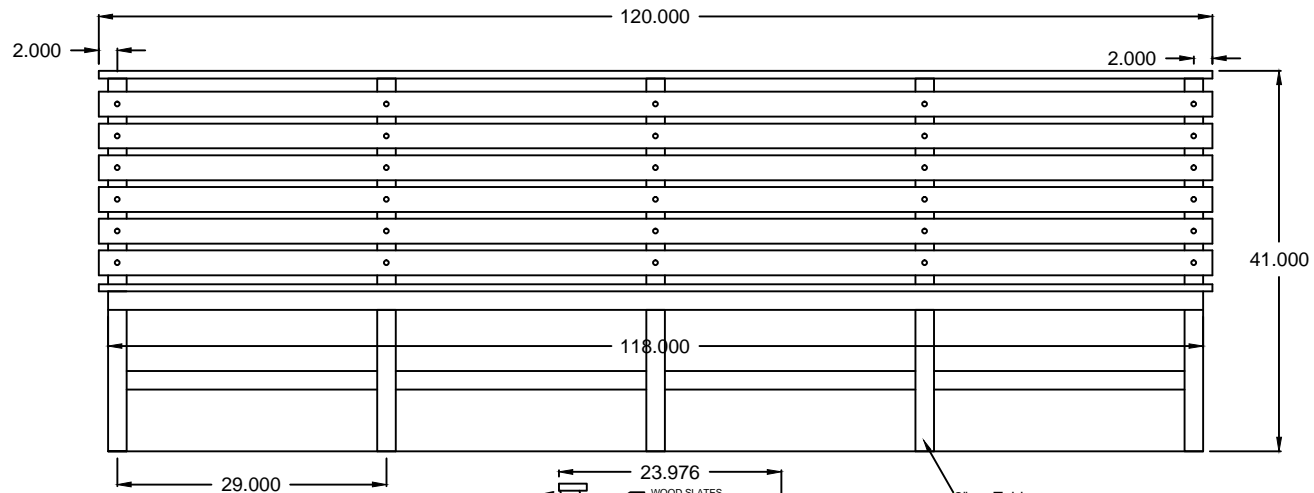


sales order 0000	Custom???	Date
item 0000	NO.	Scale 3/32" = 1"
finish TBD	<input type="checkbox"/> approved <input type="checkbox"/> approved as noted <input type="checkbox"/> not approved revise as noted	
PHONE 540.342.1548 FAX 540.342.1417 WEB RCLFING.COM		



JAKES 10' BENCH