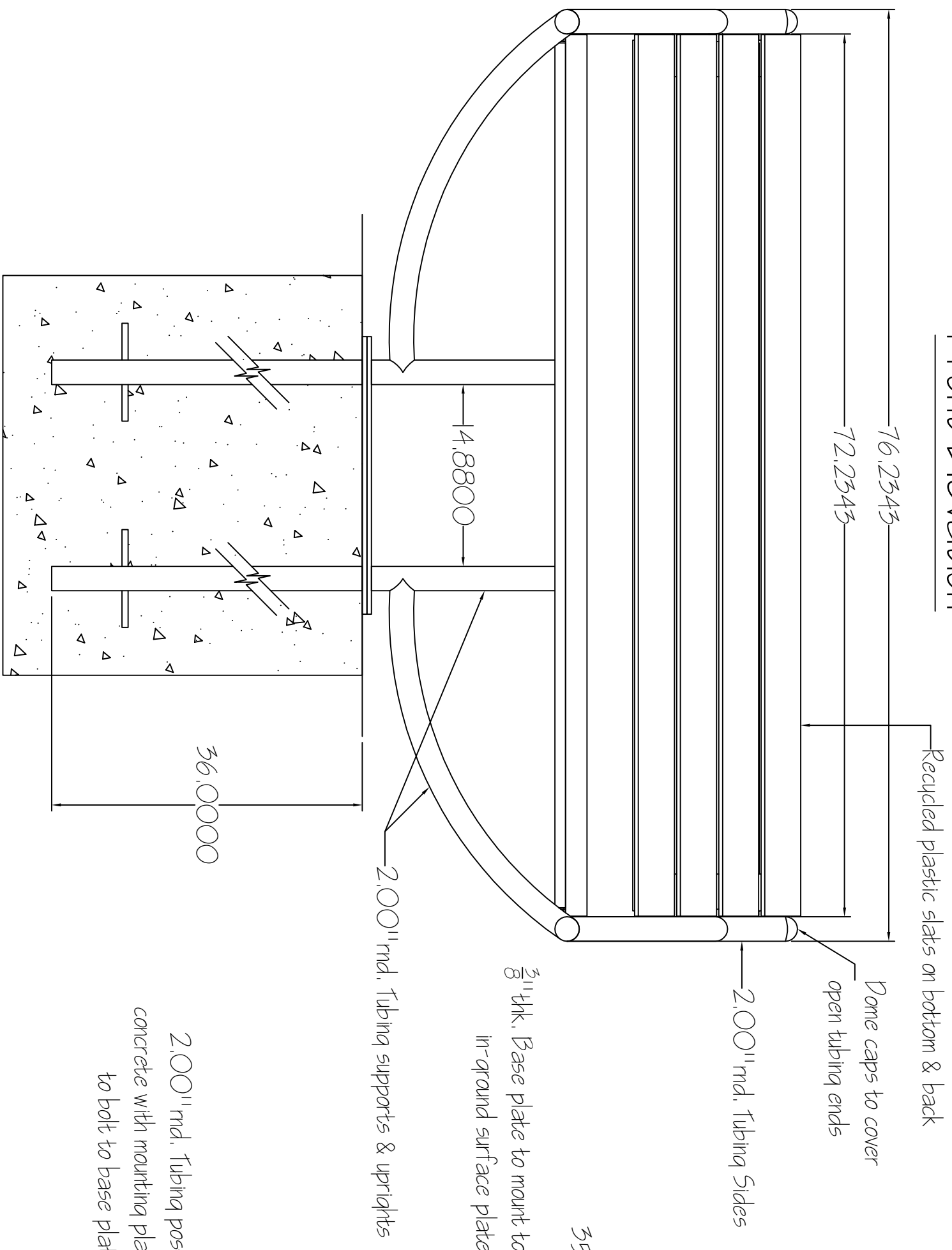
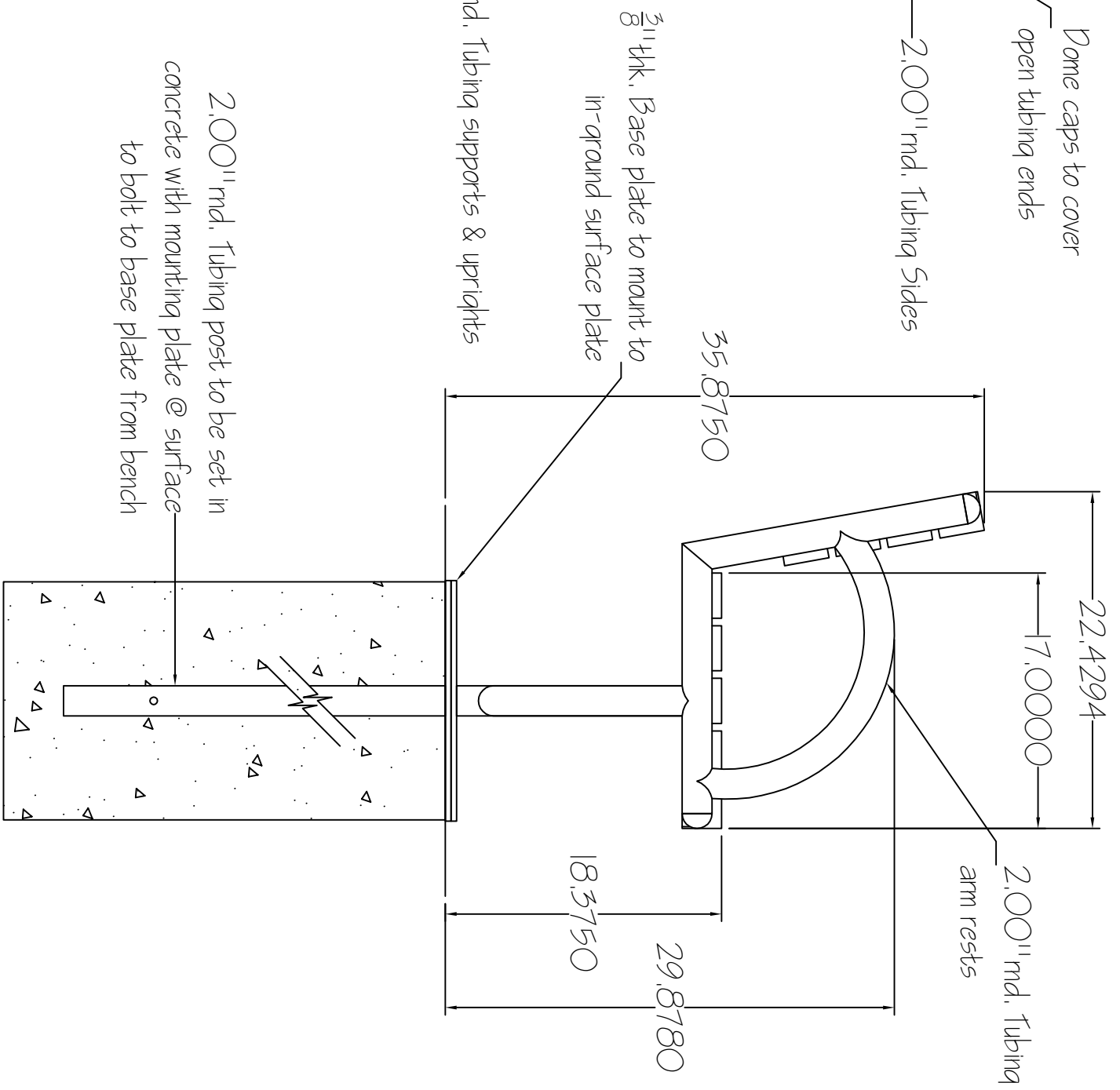


THIS DRAWING IS ONLY A SKETCH. ACTUAL DIMENSIONS ARE SUBJECT TO CHANGE UPON CUSTOMER APPROVAL.

Front Elevation



Side Elevation



sales order 0000	Custom Bench	Date 1/6/14
Item 0000	N.O. B-1433-6-RPS-LG	Scale 3/32"=1"
Finish TRP	<input type="checkbox"/> approved <input type="checkbox"/> approved as noted <input type="checkbox"/> not approved revise as noted	
PHONE 540.342.1548 FAX 540.342.1417 WEB RCLFING.COM		

