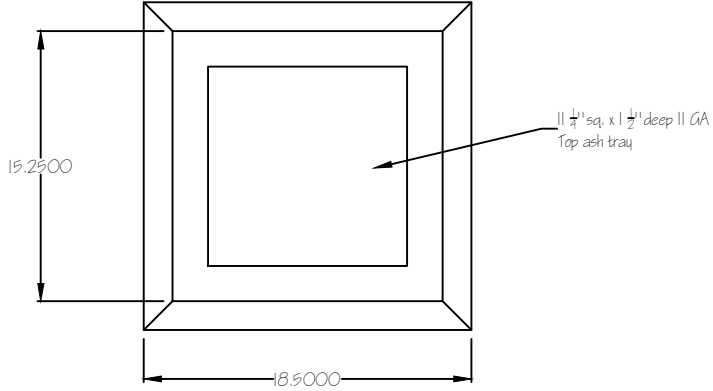


sales order 0000		Custom Ash/Litter Receptacle	date 8/7/14
item 0000		N ^o . AT-2321	scale N.T.S
finish	TSP	<input type="checkbox"/> approved <input type="checkbox"/> approved as noted <input type="checkbox"/> not approved revise as noted	
PHONE 540.342.1548 FAX 540.342.1417 WEB RCLFINC.COM			



Top View



Front Elevation

