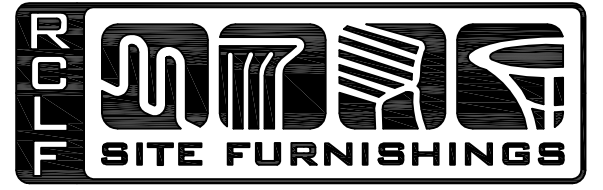
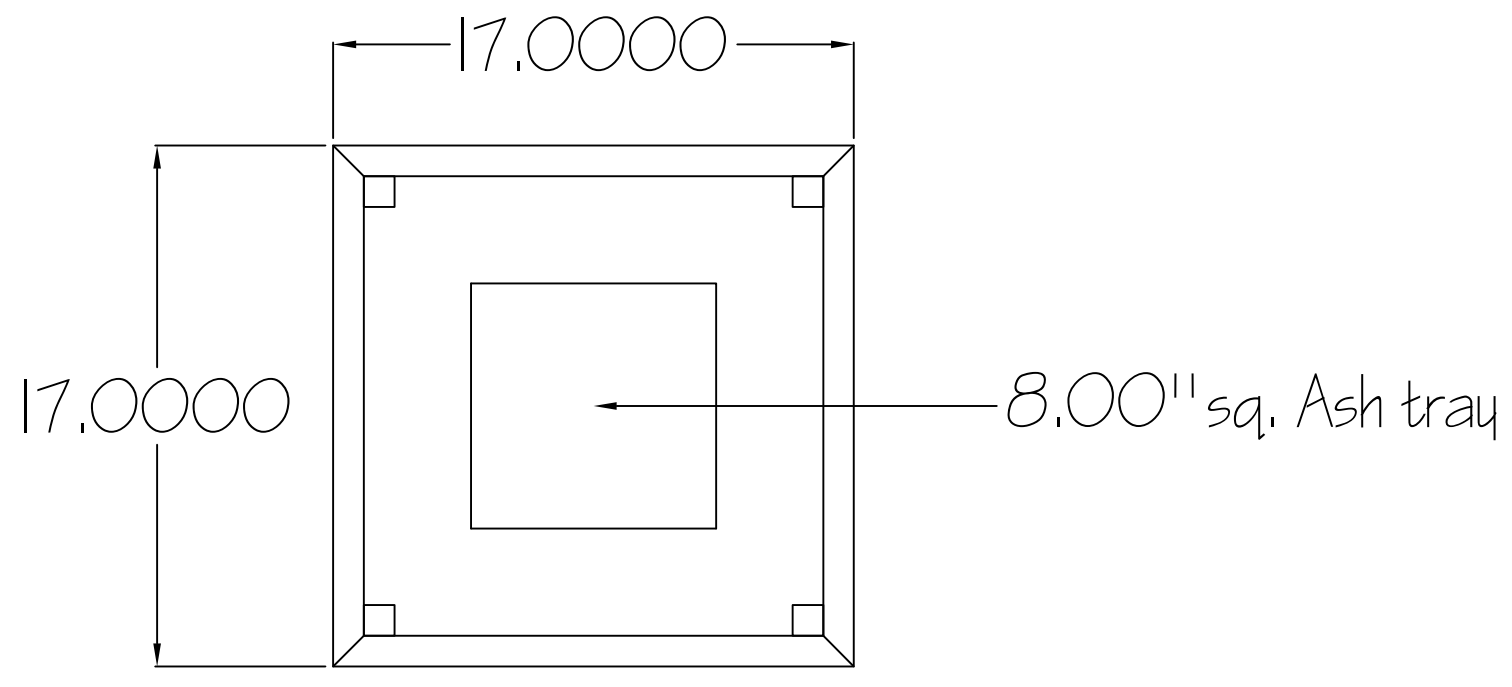


sales order 0000		Custom Ash/ Trash Receptacle	date 10/10/14
item 0000		N ^o . AT-1436	scale N.T.S
finish	TBD	<input type="checkbox"/> approved <input type="checkbox"/> approved as noted <input type="checkbox"/> not approved revise as noted	
PHONE 540.342.1548 FAX 540.342.1417 WEB RCLFINC.COM			



Top View



Front Elevation

