

Sales Order

Item

Finish TBD

Shade TBD

RENAISSANCE

- approved
- approved as noted
- not approved revise as noted

Metal Round Umbrella with 1-1/4" dia Pole

No. U-1100-1.25

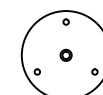
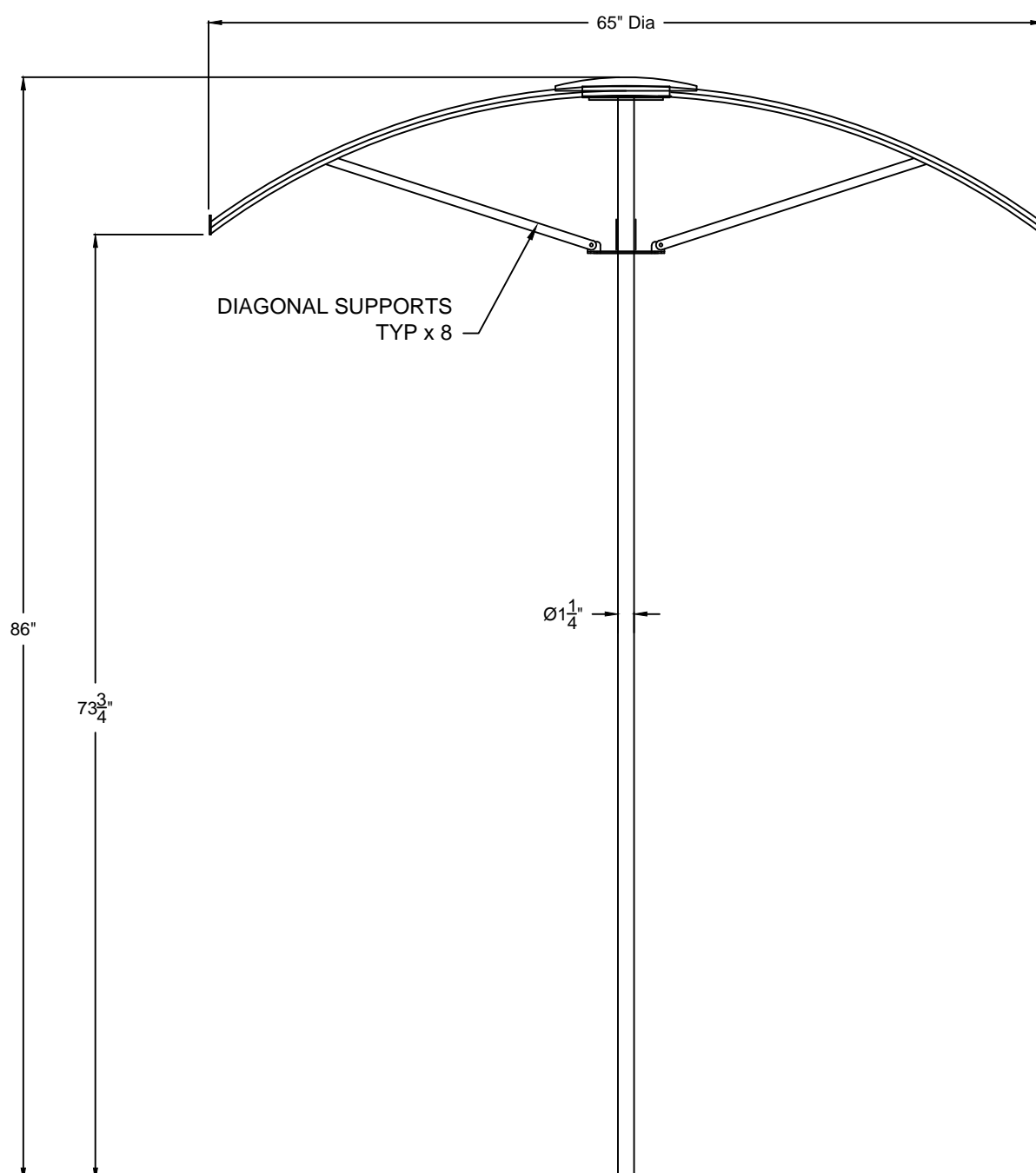
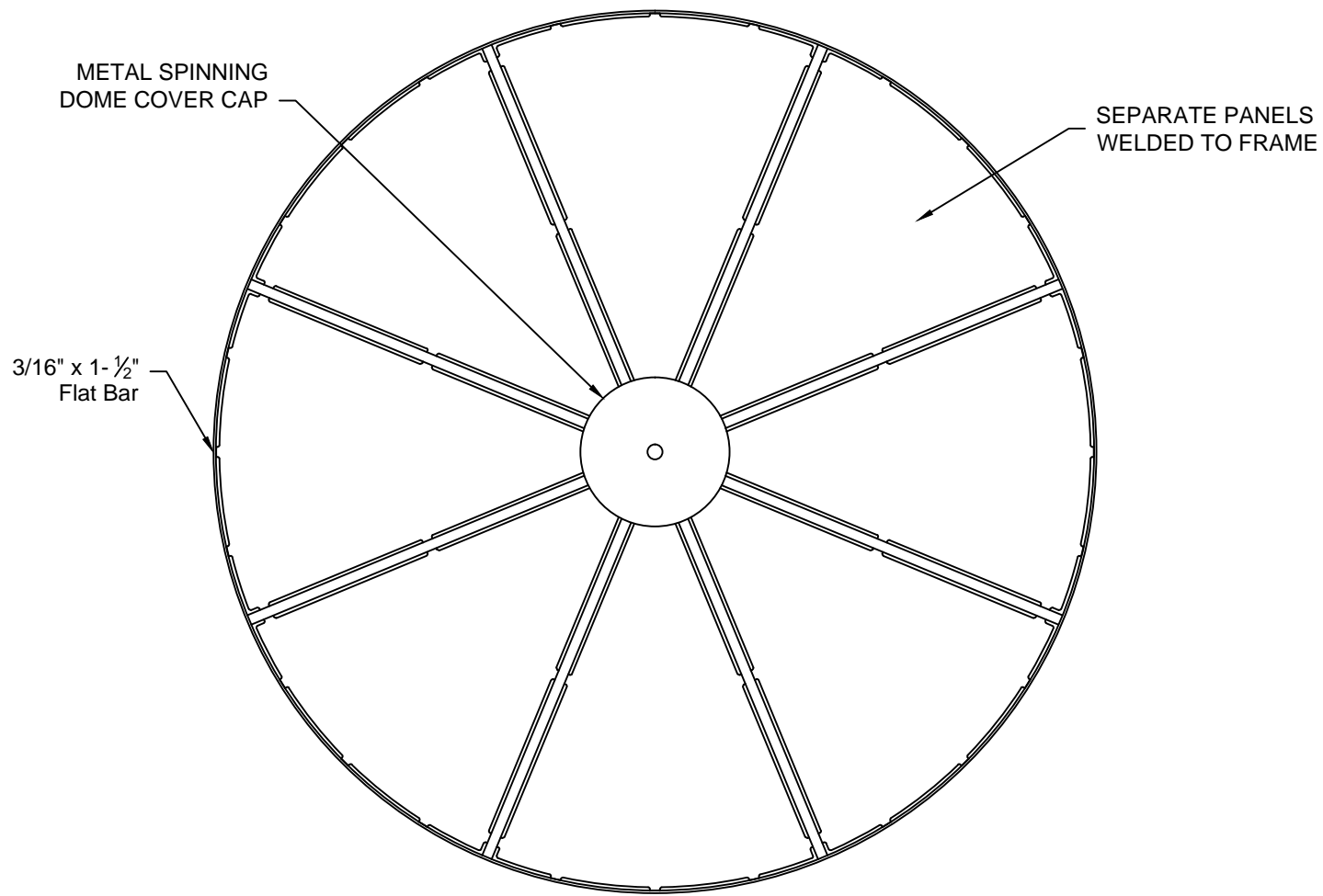


Date 04.28.15

Scale NTS

authorized signature _____ date _____

PHONE 540.342.1548 FAX 540.342.1417 WEB RCLFING.COM



3/16" Thick Umbrella Base Plate

