

Sales Order: 11881-F

Custom Trash Receptacle with Logo

Date 10/21/15

Item: n/a

TR-1920-32-Graeter

Scale N.T.S

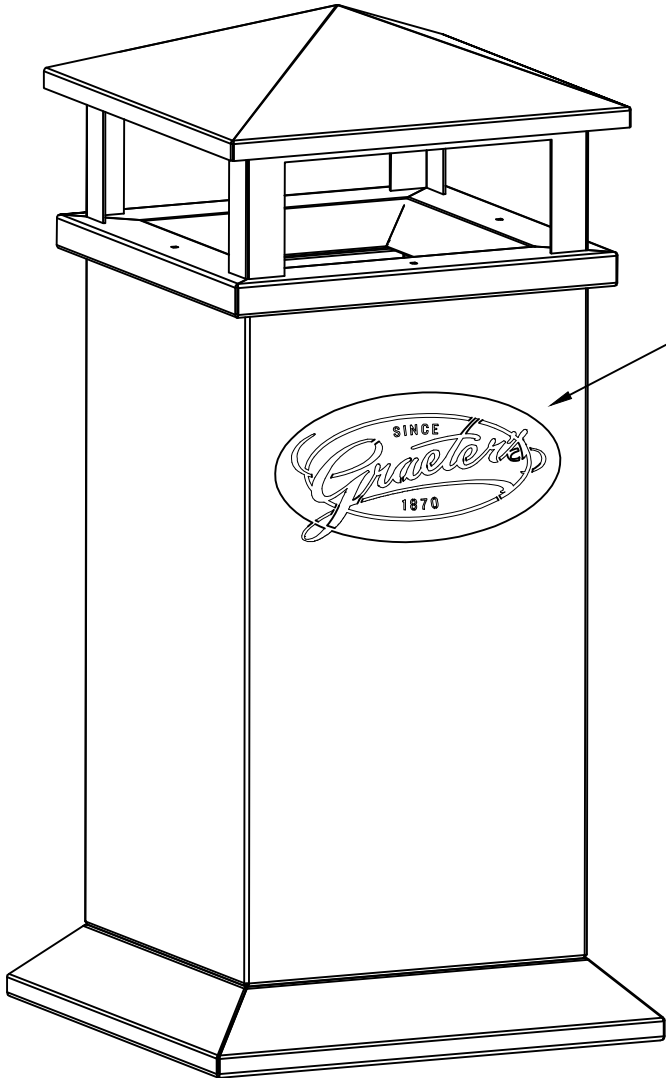
Finish: Can: Cappuccino PC, Logo: Cream, RAL 1015

- approved
- approved as noted
- not approved revise as noted

PHONE 540.342.1548 FAX 540.342.1417  
WEB RCLFING.COM

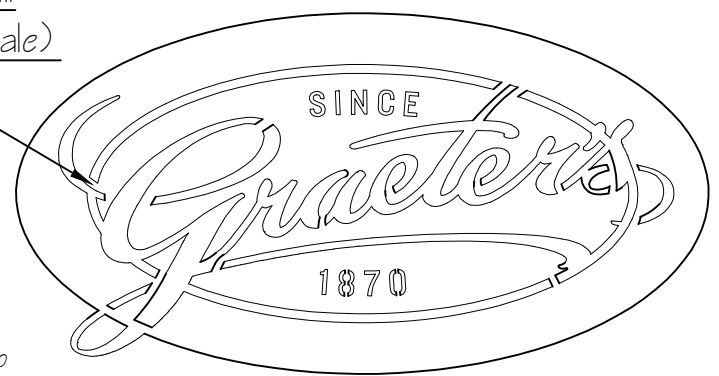


Front ISO View



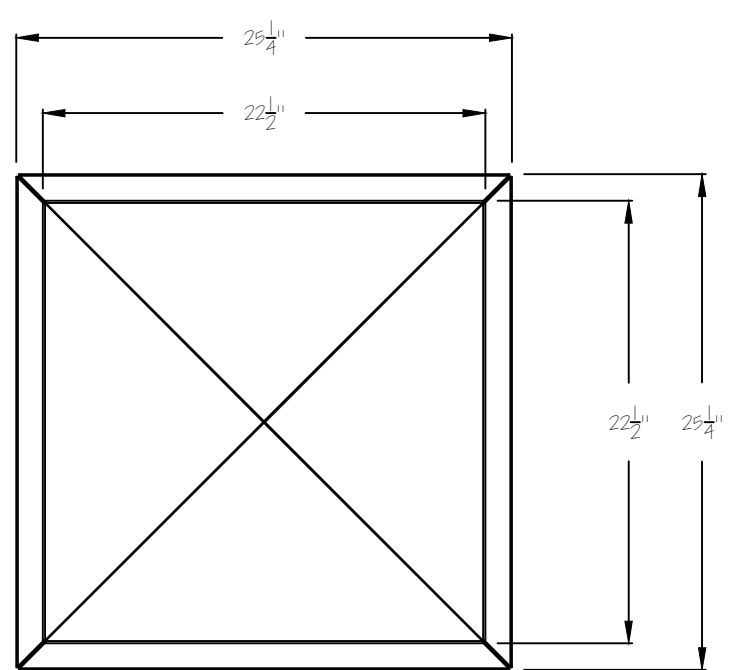
Logo Detail  
(not to scale)

Logo will have small bridges so that inner details do not fall out when cut

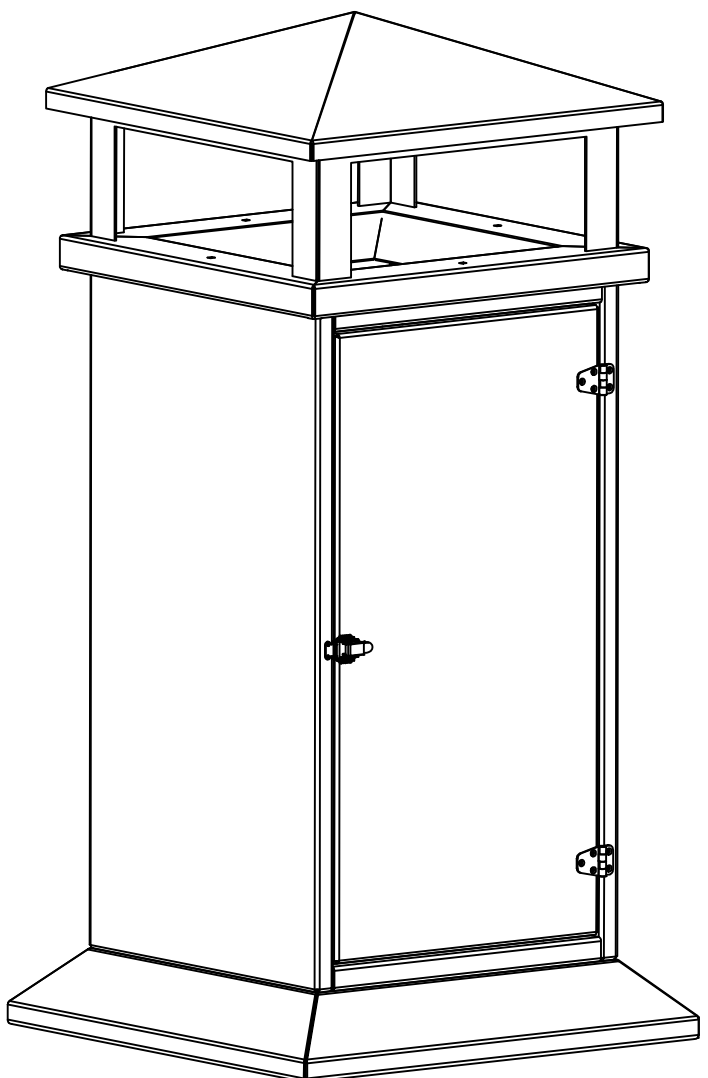


Logo will be laser cut and secured to receptacle body with hidden hardware. Logo to be powder coated a different color for contrast.

Top View



Rear ISO View



Rear Elevation

