

Custom Bench Swing Date 10/23/19

RF-G-0553-72\_HUB Scale N.T.S

- approved
- approved as noted
- not approved revise as noted

MBC



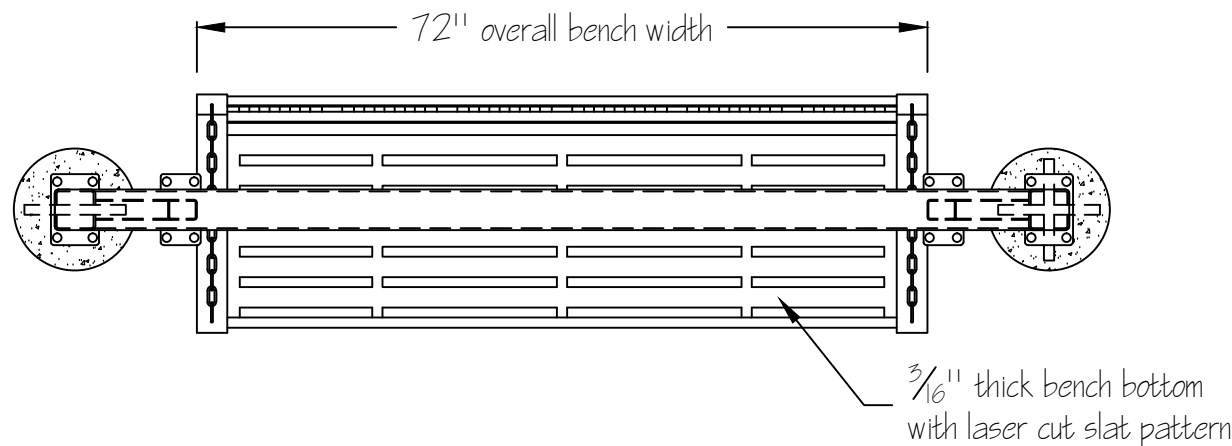
Sales Order: 10998-F

Item: MS-02

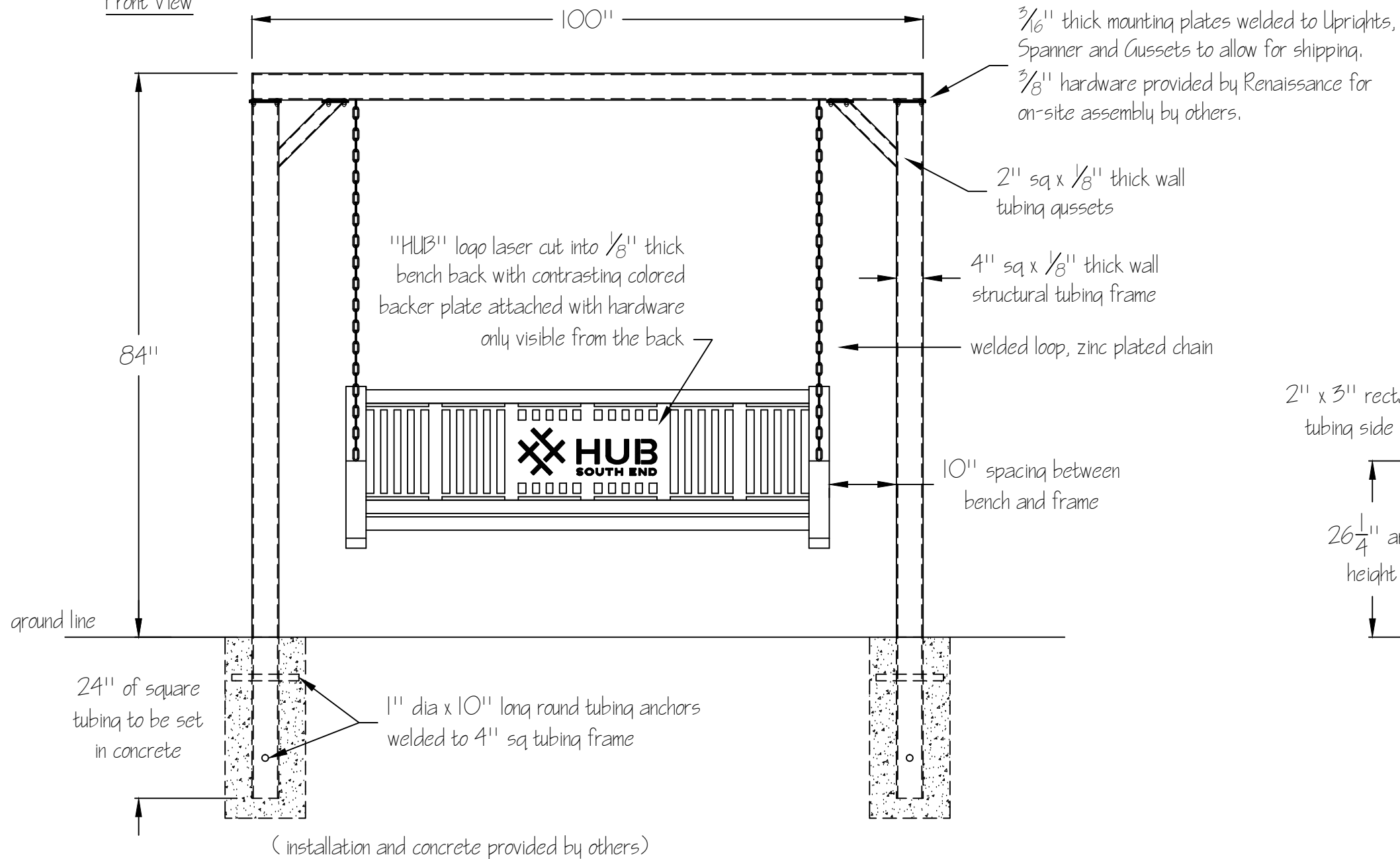
Finish: To be Approved

PHONE 540.342.1548 FAX 540.342.1417  
WEB RCLFINC.COM

\* revised laq\_MC - 10.30.19



Front View



Front View

